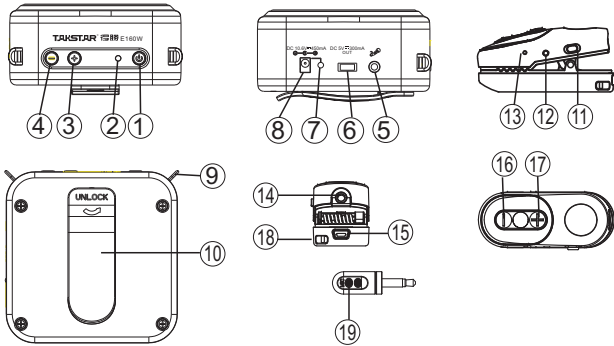


欢迎使用 TAKSTAR 便携式数字扩音器。本产品可实现无线和有线两用；无线采用2.4G数字技术，工作稳定可靠，自适应数字ID模式，自动配对联机，操作方便；数字技术，节能环保，音质清晰；是教学、导游的理想选择。在使用之前，请仔细阅读说明书，以便能正确的操作，发挥本扩音器的理想性能。

产品特性

- 采用2.4G数字无线技术，工作稳定可靠
- 自适应数字ID模式，自动配对联机，可多教室同时使用互不干扰
- 发射、接收全部采用数字音频处理，音质清晰，灵敏度高
- 发射器内置聚合物锂电池，可循环充电使用
- 有线和无线两用，可自由选择
- 采用数字电路处理技术，峰值输出功率高达10W
- 扩音器具有移动电源功能，可通过USB连接为发射器以及手机充电

控制面板功能示意图



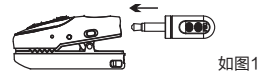
- ① 电源开关按钮：长按此键1-2秒开机或关机
- ② 电源指示灯：当扩音器开机时，此灯会亮。绿灯表示高电压，红灯表示低电压，当此红灯闪烁时表示电压极低，请及时为电池充电
- ③ 音量增加按键
- ④ 音量减小按键
- ⑤ MIC IN 输入插孔：将ø3.5mm的麦克风插头插入此孔，进入扩音工作状态；操作时，请不要将麦克风的拾音面朝向扩音器的扬声器，以免产生啸叫
- ⑥ DC 5V输出：可用USB连接为无线发射器以及手机等电子产品充电。（注意：此充电操作须在扩音器处于开机状态下进行）
- ⑦ 充电指示灯：将充电器插入⑧孔内时，指示灯亮，表示电池进入充电状态；指示灯由红色变为绿色后，表示电已充满
- ⑧ 充电输入插孔：将赠送的DC 10.6V 450mA电源充电器插头插入此孔，即可开始对电池充电
- ⑨ 肩挂扣
- ⑩ 背扣：安装时，把背扣对准机壳的扣位方向按下，顺时针转动背扣，可以把背扣固定在机壳上；反之，逆时针转动背扣即可取出
- ⑪ 发射机电源开关：拨至ON为开机，OFF为关机
- ⑫ 电源指示及对码LED灯：打开电源开关⑪，指示灯亮；当此灯红绿交替闪烁时为对码状态，对码成功后，此灯亮绿色。低电时亮红色。充电时此灯亮红色，充电饱和后亮绿色
- ⑬ 内置高灵敏度麦克风
- ⑭ 外置麦克风输入孔：将ø3.5mm插头的微型麦克风或头戴麦克风插入此孔，此时内置麦克风静音，声音由外置麦克风拾取，从而得到更好的拾音效果
- ⑮ USB充电座：将DC 5V的 MINI USB电源连接至此插座进行充电，充电时，指示灯⑫亮红色，充满后亮绿色，（可连接扩音器DC 5V输出端口、手机充电器、电脑USB端口为发射器充电）
注：建议给扩音器充电的同时给发射器一起充电，以确保在无线状态下使用时不会因欠电而影响使用时间
- ⑯ 音量功能按键：按此键为音量减，当音量减到最小值时为静音，同时LED⑫会闪烁提示
- ⑰ 音量功能按键：按此键为音量加，提供10个音量等级调整
- ⑱ 挂扣
- ⑲ 微型麦克风

技术参数

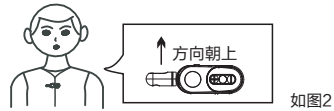
载波频率：2.4G通用频段	工作模式：自适应数字ID
射频功率：≤10mW	有效距离：15-20米
音频响应：80Hz-12kHz	额定音频功率：5W
峰值功率：10W	扬声器阻抗：4Ω
接收机：	
电池规格：7.4V聚合物锂电池	充电器规格：DC 10.6V 450mA
充电时间：4-6小时	使用时间：8小时以上（语音）
产品规格：90×90×43mm	单机重量：275g
USB输出：DC 5V 300mA	
发射器：	
电池规格：3.7V/350mAh 聚合物锂电池	充电输入：DC 5V 300mA
充电时间：4-5小时	使用时间：5-6小时
产品规格：67×36×28 mm	单机重量：35g

微型麦克风的使用方法

1. 将微型麦克风插入2.4G发射器的外置麦克风输入孔⑭，如图1



2. 将2.4G发射器夹在衣领上，为达到良好的拾音效果请确保微型麦克风印有MIC字样的拾音孔方向朝上，如图2



使用与注意事项

- 本机内置低电保护功能，能有效延长电池的使用寿命；使用时，如电源指示灯常亮（或闪烁）红色，表示电池已低电，此时在大音量状态下有可能引起保护关机，因此必须及时为电池充电
- 将发射器夹在衣领上，并调整好麦克风的拾音角度，以防方向不正引起啸叫或拾音效果差
- 请根据实际使用空间适当调整音量大小，以获取良好的使用效果
- 非专业技术人员请不要擅自拆机改装或维修；如有问题或服务需求请联系当地经销商
- 低电量或长时间不使用时应将电池充满电，以确保电池的使用寿命
- 请勿将电池或电池组放在日照、火烤等类似过热环境中
- **注意**：电池或电池组更换不当会有爆炸危险，只能用同样类型或等效类型的电池来更换并注意电池极性
- **禁止**：禁止电池反接，短路，猛烈撞击和作为儿童玩具；不能使用其他充电装置为本机电池充电，也不能用本机为其他的电池充电，使用不当会有爆炸危险；禁止对非充电电池充电
- 整机及配件都应放置在室内干燥通风处，避免雨淋、水滴、进水、重摔及覆盖通风孔
- 为保护环境，请将废弃电池放入指定的分类垃圾桶或寄回给生产商，不可直接丢弃
- 应保持电源或充电适配器的操作方便。长时间不用时，请将适配器从电源插座中拔出



仅适用于海拔2000米以下地区使用



仅适用于非热带气候条件下使用

标准配置

便携式扩音器	2.4G发射器	头戴麦克风	HM-830微型麦克风
扩音器充电器 (赠送)	扩音器背扣	发射器充电线	扩音器绑带
			说明书

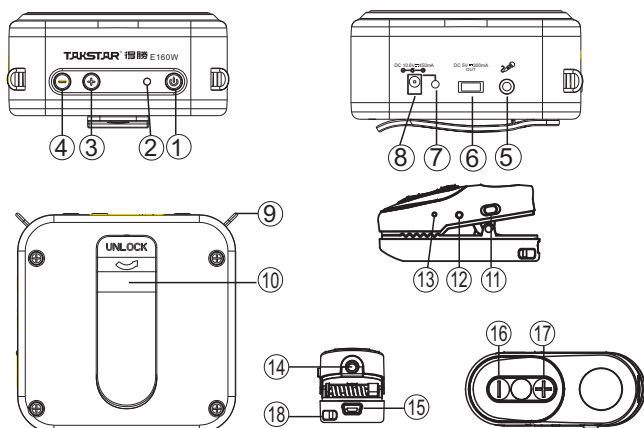
适用场合：教学、培训等场合扩音用

Welcome to use TAKSTAR portable digital amplifier, this product is for both wireless and wired using, it adopts 2.4G digital technology for stable and reliable performance, and features self-adaptive digital ID mode for automatical frequency matching. This product is ideal for teaching, tour guiding, etc. because of the advanced digital technology, environmental protection and clear sound quality. Please read this user manual detailedly before using to make sure the correct operation and exert the best function.

Features

- 2.4G digital wireless technology for stable and reliable performance
- Adaptive digital ID mode for automatical frequency matching between transmitter and receiver, multiple classrooms can use the system at the same time without interference
- Transmitter and receiver adopt digital audio processing for clear sound quality and high sensitivity
- Built-in polymer Li-ion rechargeable battery for transmitter
- Supplied with high performance built-in wireless lavalier microphone and wired headworn microphone for convenient use
- Digital circuitry technology, 10W output power
- The amplifier can work as portable power source and charge for lavalier transmitter, mobile phone by USB cable

Function Illustration



- ① Power switch: Press it long for 1 to 2 seconds for power on/off
- ② Power indicator: it will light green when the amplifier is power-on. If the battery voltage is low, it will turn red, and glitter red when the battery voltage is too low, please recharge in time
- ③ Volume control: Press it for increasing volume
- ④ Volume control: Press it for reducing volume
- ⑤ Microphone input socket: Insert the microphone 3.5mm plug into this socket. When speaking, do not point the microphone directly to amplifier, or it will cause howling
- ⑥ DC 5V output: Charging by USB cable for wireless transmitter, mobile phone, etc. (The amplifier should be powered on when charging)
- ⑦ Recharging indicator: Plug in the power adaptor into this socket ⑧, the indicator will light, indicating that the rechargeable battery is under charging. The indicator will change from red to green when the battery is fully charged
- ⑧ Recharging input socket: Input the DC 10.6V/450mA power adaptor plug to this socket for recharging
- ⑨ Hanging buckle
- ⑩ Back hook: When assembling, aim at it to the hooked part and press down, turn clockwise to tighten it and turn anticlockwise to take out it
- ⑪ Transmitter power switch: Turn to "ON" for power on, and turn to "OFF" for power off.
- ⑫ Power indicator and coding LED light: Turn on power switch ⑪, it will light on; when it is under matching, it will glitter red and green alternately; under matching, it will glitter red and green alternately; when it has been matched successfully, it will light green; when it is low voltage or being recharged, it is red; after fully recharging, it is green
- ⑬ Built-in high sensitivity microphone
- ⑭ External microphone input socket: Insert the 3.5mm plug of lavalier microphone or headworn microphone into this socket, the built-in microphone will mute and the external microphone will work
- ⑮ USB charger: Plug DC 5V MINI USB cable into this socket for charging
When it is being recharged, indicator ⑫ will light red, after fully recharging, it is green. (Transmitter can be charged by amplifier DC 5V output socket, mobile phone charger, computer USB socket)
Caution: When charging for amplifier, we suggest charging for transmitter together to

- make sure enough power when using under wireless status
- ⑯ Volume control: Press it for reducing volume, when reducing to minimum value, it will be muted and LED ⑫ will glitter for warning
- ⑰ Volume control: Press it for increasing volume, it provides 10 volume levels for adjustment
- ⑱ Hanging buckle

Specification

- Carrier Frequency: 2.4G
- Transmit Power: ≤10mW
- Frequency Response: 80Hz-12KHz
- Max. Output Power: 10W
- Operating Mode: Adaptive digital ID
- Operating Range: 15-20m
- Rated Output Power: 5W
- Output Impedance: 4Ω

Receiver

- Receiver Battery Spec: 7.4V polymer Li-ion battery
- Receiver Recharging Time: 4-6hours
- Product Dimension: 90 × 90 × 43mm
- Power Adaptor: DC 10.6V 450mA
- Receiver Play Time: ≥8hours (voval)
- Net Weight: 275g
- USB output: DC 5V 300mA

Transmitter

- Transmitter Battery Spec: 3.7V/350mAh polymer Li-ion battery
- Charging Input: DC 5V
- Transmitter Recharging Time: 4-5hours
- Product Dimension: 67 × 36 × 28mm
- Transmitter Play Time: 5-6 hours
- Net Weight: 35g

Operation and Caution

- This product has built-in low voltage protection function to extend the battery life. If power indicator lights red or glitters red, it means low battery voltage, loud volume may cause power off for protection, please recharge in time
- Clip the transmitter on collar and adjust the suitable microphone pick-up angle to avoid howling and assure the pick-up effect
- Adjust the volume according to the actual space size
- Non-professional technician is not allowed to disassemble and modify or repair the device. Please contact your local agent if you need service or have any question
- Please fully charge the battery to assure its service life if the device will not be used for a long time or the battery voltage is low
- Do not expose the battery or battery pack to extremely hot environment such as sunlight or fire etc
- **Caution:** improper replacement of battery or battery pack is likely to cause an explosion, user can only use the same or equivalent type of battery to replace the original one and should pay attention to the battery polarity
- **Warning:** it's forbidden to connect the battery in reverse, to short circuit or hit the battery violently, to use the battery as a child's toy. Do not use other charging equipment to charge the battery of this device, do not use the device to charge other battery, improper use may cause a risk of explosion. Do not charge a non-rechargeable battery
- Put the device and its accessories in a dry and ventilated place, keep them from rain, water, avoid falling down heavily and don't cover the ventilation hole
- Put the used battery in a designated trash can or send it back to the manufacturer to protect the environment
- Keep the power adapter or charger handy, unplug it from the power socket if you are not going to use it for a long time



The device and its accessories can only be used safely in the areas below an altitude of 2000 meters



The device and its accessories can only be used safely in non-tropical regions

Standard Configuration

Digital Amplifier	2.4G transmitter	Headworn Microphone	Power Adaptor (Free Part)
Back Hook	Transmitter Charging Cable	Strape	User manual

Application

Teaching, training, tour guiding