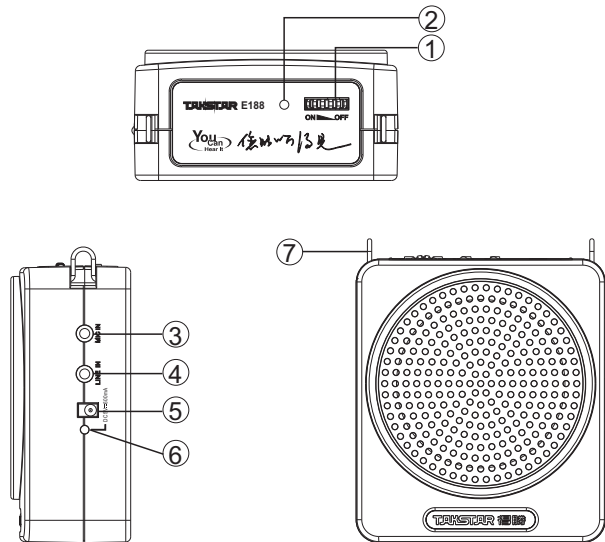


欢迎使用 TAKSTAR 便携式数字扩音器。本产品是专为教学、导游和参观等而设计的，采用数字技术，提供更长久的电池使用时间和更大输出功率，是教学、导游的理想选择。在使用之前，请仔细阅读说明书，以便能正确的操作，发挥本扩音器的理想性能。

产品特性

- 数字扩音技术，10W大功率音频输出
- 选用强磁钕铁硼喇叭，重量更轻、音质更好、声音更大
- 采用LOW-THD自适应技术，在大功率输出时也不会产生明显的声音失真
- 内置大容量耐久型锂离子电池，可循环充电使用，节能环保
- 内置MCU充电管理系统，具有电池保护功能，使电池处于安全可靠的模式下使用；充电只需4-6小时，使用时间可达20小时以上
- 具有AUX音频信号输入功能，可充当小音箱使用
- 壳体采用ABS工程原料成型，坚固耐磨
- 产品外观设计时尚，具有肩挂及腰挂等多种佩戴方式，使用更方便

控制面板功能示意图



- ① 电源开关和音量调整旋钮：向左转动旋钮，听到“嘀”一声，表示扩音器已通电，此时电源指示灯②亮，继续向左转动旋钮声音越大，反之，声音越小直至关机
- ② 电源指示灯：当扩音器通电时，此灯会亮。绿灯表示高电压，红灯表示低电压，当此灯亮红灯时，请及时为电池充电
- ③ MIC IN 输入插孔：将 $\phi 3.5\text{mm}$ 的麦克风插头插入此孔，进入扩音工作状态；操作时，请不要将麦克风的拾音面朝向扩音器的扬声器，以免产生啸叫
- ④ LINE IN 输入插孔：用 $\phi 3.5\text{mm}$ 插头的音频线将DVD、MP3等音乐信号导入本机可作为有源音箱使用
- ⑤ 充电输入插孔：将随机赠送的DC 5V \approx 600-750mA电源充电器插头插入此孔：即可开始对电池充电
- ⑥ 充电指示灯：将充电器插入⑤孔内时，指示灯亮，表示电池进入充电状态；指示灯由红色变为绿色后，表示电已充满
- ⑦ 肩挂扣

技术参数

频率响应：80Hz-12kHz
 额定输出功率：5W
 峰值输出功率：10W

扬声器阻抗：4 Ω
 工作电压：3.7V
 电池规格：3.7V/2000mAh 锂离子电池
 充电器规格：DC \approx 5V/600-750mA
 充电时间：4-6小时
 使用时间： ≥ 20 小时
 产品规格：86 \times 98 \times 46mm
 单机重量：350g

使用与注意事项

- 为了达到良好的效果，请对准头戴的咪芯（1-2cm）处发音
- 将头戴麦克风正确的佩戴在头部，并调整好麦克风的拾音角度，以防方向不正引起啸叫
- 请根据实际使用空间适当调整音量大小，以获取理想的使用效果。
- 请不要将外部音源信号（如DVD、MP3等）从MIC插孔输入，以免声音幅度过大而失真
- 为了确保充电的性能，请使用本机赠送的DC \approx 5V/600-750mA专用充电器充电
- 非专业技术人员请不要擅自拆机改装或维修；如有问题或服务需求请联系当地经销商
- 低电量或长时间不使用时应将电池充满电，以确保电池的使用寿命
- 请勿将电池或电池组放在日照、火烤等类似过热环境中
- **注意**：电池或电池组更换不当会有爆炸危险，只能用同样类型或等效类型的电池来更换并注意电池极性
- **禁止**：禁止电池反接，短路，猛烈撞击和作为儿童玩具；不能使用其他充电装置为本机电池充电，也不能用本机为其他的电池充电，使用不当会有爆炸危险；禁止对非充电电池充电
- 整机及附件都应放置在室内干燥通风处，避免雨淋、水滴、进水、重摔及覆盖通风孔
- 为保护环境，请将废弃电池放入指定的分类垃圾桶或寄回给生产商，不可直接丢弃
- 应保持电源或充电适配器的操作方便。长时间不用时，请将适配器从电源插座中拔出



仅适用于海拔2000米以下地区使用



仅适用于非热带气候条件下使用

标准配置



适用场合

教学、导游、培训等场合语音扩音使用

广东得胜电子有限公司

地址：广东省惠州市博罗县龙溪镇富康一路2号
 邮箱：xs@takstar.com

电话：400 6828 333
 邮编：516121

传真：0752-6383950
 网址：www.takstar.com

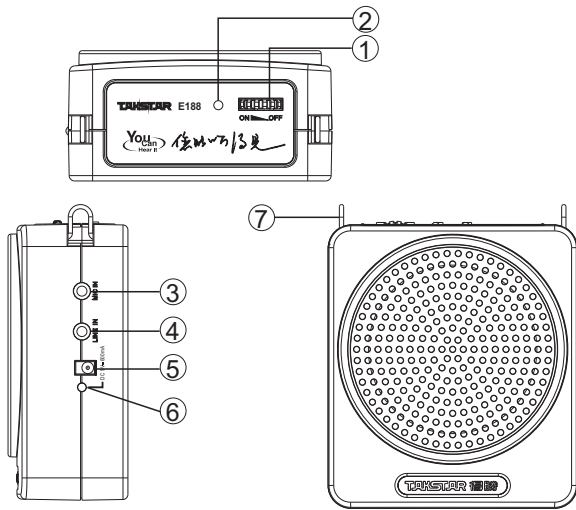
Welcome to use TAKSTAR portable digital voice amplifier. This product is ideal for teaching, tour guide etc. because of the excellent digital technology, long battery playtime and high output power. Please read this user manual detailedly before using to make sure the correct operation.

Recharging Period: 4-6hrs
 Playtime: ≥20hrs
 Dimension: 86×98×46mm
 Net Weight: 350g

Features

- Digital circuitry technology, 10W output power
- High-efficiency and strong-magnetism neodymium iron boron speaker features light weight, excellent sound quality and loud output volume
- LOW-THD AT Adaptive Technology features low distortion even at high output power
- Built-in high capacity rechargeable lithium-ion battery
- Built-in MCU intelligent recharging management system for secure battery charging and discharging, fast charging time (4-6hrs) and long play time (more than 20hrs)
- With AUX audio signal input function, as a small speaker
- Exquisite and durable design
- Choices of waist or shoulder hanging wear style for convenient use

Function Illustration



- ① Power switch with volume control: Turn the wheel ① to the left until you hear a clicking sound “Di”, the amplifier is now switched on and the power LED② will light, turn left for louder voice, turn right for lower voice until power off
- ② Power indicator: It will light green when the amplifier is power-on. If the battery is low, it will turn red, please recharge the battery in time
- ③ Microphone input socket: insert the microphone Φ3.5mm plug into this socket; do not point the microphone directly to amplifier, or it will cause howling
- ④ Line input socket: Plug signal such as DVD, MP3 into the LINE IN socket with a Φ3.5mm audio cable, the amplifier will be used as a speaker
- ⑤ DC 5V/600-750mA power adaptor socket
- ⑥ Recharging Indicator: Plug in the power adaptor into socket⑤, the indicator will light, indicating that the rechargeable battery is under charging. The indicator will change from red to green when the battery is fully charged
- ⑦ Hanging buckle

Specification

Frequency Response: 80Hz-12kHz
 Rated Output Power: 5W
 Max. Output Power: 10W
 Output Impedance: 4Ω
 Operating Voltage: 3.7V
 Battery specification: 3.7V/2000mAh lithium-ion battery
 Power Adaptor: DC 5V 600-750mA

Operation & Caution

1. Aim at the headworn mic capsule when speaking and keep the distance between vocal and mic as 1-2cm to avoid howling
2. Wear the headworn microphone correctly and adjust the suitable microphone pick-up angle
3. Adjust the volume according to the actual space size
4. Don't insert external audio signal such as DVD or MP3 into the MIC socket to avoid distortion due to extreme high voice
5. Use the DC 5V/600-750mA power adaptor provided with the voice amplifier to make sure the best performance
6. Non-professional technician is not allowed to disassemble and modify or repair the device. Please contact your local agent if you need service or have any question
7. Please fully charge the battery to assure its service life if the device will not be used for a long time or the battery voltage is low
8. Do not expose the battery or battery pack to extremely hot environment such as sunlight or fire etc
9. Caution: improper replacement of battery or battery pack is likely to cause an explosion, user can only use the same or equivalent type of battery to replace the original one and should pay attention to the battery polarity
10. Warning: it's forbidden to connect the battery in reverse, to short circuit or hit the battery violently, to use the battery as a child's toy. Do not use other charging equipment to charge the battery of this device, do not use the device to charge other battery, improper use may cause a risk of explosion. Do not charge a non-rechargeable battery
11. Put the device and its accessories in a dry and ventilated place, keep them from rain, water, avoid falling down heavily and don't cover the ventilation hole
12. Put the used battery in a designated trash can or send it back to the manufacturer to protect the environment
13. Keep the power adapter or charger handy, unplug it from the power socket if you are not going to use it for a long time

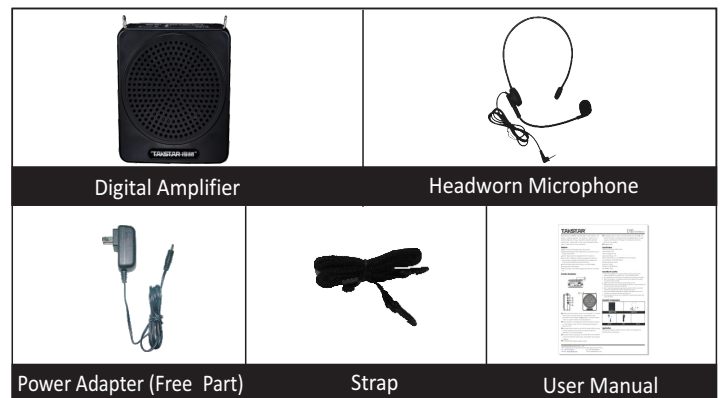


The device and its accessories can only be used safely in the areas below an altitude of 2000 meters



The device and its accessories can only be used safely in non-tropical regions

Standard Configuration



Application

Teaching, tour guiding, training