

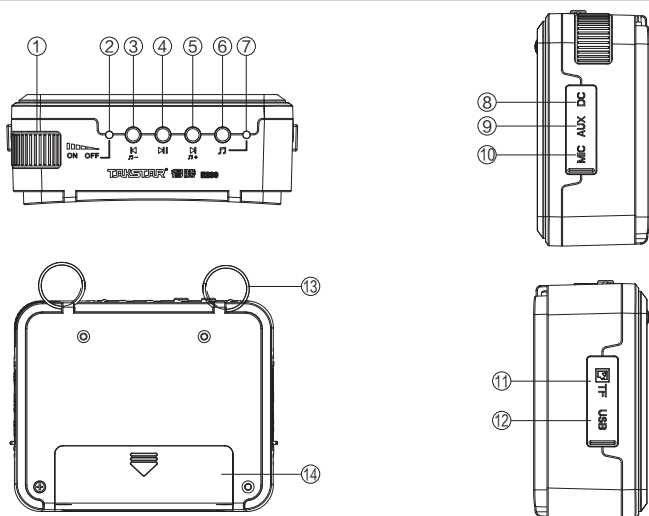
前言

欢迎使用TAKSTAR便携式数字扩音器，本产品专为教学、导游、参观以及健身娱乐等场合而设计的，采用数字技术，提供更长久的电池使用时间和输出功率，教学、导游的理想选择。在使用之前，请仔细阅读说明书，以便能正确的操作，发挥本扩音器的理想性能。

产品特性

- 采用功率合成驱动技术,15W大功率音频输出
- 具有音频播放功能，支持TF卡、U盘上的多媒体音频文件播放
- 采用LOW-THD自适应技术，在大功率输出时也不会产生明显的声音失真
- 内置大容量耐久型锂离子电池，可循环充电使用，节能环保
- 内置MCU充电管理系统，具有电池保护功能，使电池处于安全可靠的模式下使用，充电只需要4-6小时，使用时间可达20小时以上
- 具有AUX音频信号输入功能，可充当小音箱使用
- 壳体采用ABS工程原料成型，坚固耐用
- 产品外观设计时尚，具有肩挂及腰挂等多种佩戴方式，使用方便

控制面板功能示意图



- ① 电源开关：往ON方向旋转为开机和音量增大，往OFF方向旋转音量减小至关机
- ② 电源指示灯：开机后，此灯亮绿色，当电量不足时此灯亮红色
- ③ 音乐功能按键：◀、⏮- 为上一曲，长按此键可以单独调小音乐播放音量，满足讲解时做背景音乐
- ④ 播放/暂停按键：▶ 按此键可以控制音乐的播放与暂停
- ⑤ 音乐功能按键：▶、⏭+ 为下一曲，长按此键可以单独增大音乐播放音量，满足讲解时做背景音乐
- ⑥ 音乐播放切换键：⏮ 按此键可以对音乐播放开关进行控制，麦克风在上述模式中同步使用
- ⑦ 音乐播放指示灯：音乐播放时，此灯闪烁；暂停时，此灯常亮，音乐关闭时，此灯熄灭
- ⑧ 充电输入插孔：将随机配送的DC 5V电源充电器插头插入此孔，即可开始对电池充电
- ⑨ AUX IN输入插孔：可外接音频信号，充当小音箱使用
- ⑩ MIC IN输入插孔：将φ3.5mm的麦克风插头插入此孔，进入扩音工作状态；操作时，请不要将麦克风的拾音面朝向扩音器的扬声器，以免产生啸叫
- ⑪ TF内存卡插口：根据示意标示方向插入存有音乐文件的TF内存卡，插入时，听到“嗒”一声，表示已安装到位并将其锁住；取卡时只要将卡往下按。听到“嗒”一声，TF内存卡会自动弹出来
- ⑫ U盘插孔：将存放有音乐文件的U盘插入此孔

⑬ 肩挂扣

⑭ 电池仓：内装一节3.7V/2000mAh锂离子电池

技术参数

频率响应：80Hz-12kHz

峰值输出功率：15W

扬声器阻抗：4Ω

工作电压：3.7V

电池规格：1节3.7V/2000mAh锂离子电池

充电器规格：DC 5V/600-750mA

充电时间：约6小时

使用时间：20小时

产品规格：118×92×45mm

U盘和TF卡：支持到16G容量

媒体格式：MP3

单机重量：395克

使用与注意事项

- 为了达到良好的效果，请对准头戴的咪芯(1-2cm)处发音。
- 将头戴麦克风正确的佩戴在头部，并调整好麦克风的拾音角度，以防方向不正引起啸叫。
- 请根据实际使用空间适当调整音量大小，以获得理想使用效果。
- 长时间不使用时应将电池充满电，以确保电池的使用寿命。
- 请不要将外部音源信号（如DVD、MP3等）从MIC插孔输入，以免声音幅度过大而失真。
- 为了确保充电器的理想性能，请使用本机配送的DC 5V/600-750mA专用充电器充电。
- 非专业技术人员请不要擅自拆机改装或维修；如有问题或服务需求请联系当地经销商。

标准配置



适用场合

教学、导游、培训、促销、宣传、晨练、娱乐等场合扩音用。

广东得胜电子有限公司

地址：广东省惠州市博罗县龙溪镇富康一路2号
邮箱：xs@takstar.com

电话：400 6828 333
邮编：516121

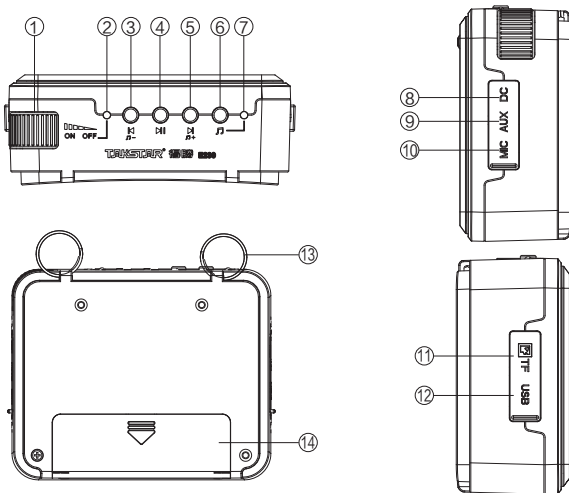
传真：0752-6383950
网址：www.takstar.com

Welcome to use Takstar portable digital voice amplifier. This product is ideal for teaching, tour guide, music entertainment etc. because of the excellent digital technology, long battery playtime and high output power. Please read this user manual detailedly before using to make sure the correct operation.

Features

- Excellent power synthetic driving technology, 15W output power
- Music play function supports multimedia audio file play of USB flash disk and TF card
- LOW-THD AT Adaptive Technology features low distortion even at high output power
- Built-in high capacity rechargeable lithium-ion battery
- Built-in MCU intelligent recharging management system for secure battery charging and discharging, fast charging time(4-6hrs) and long playtime(more than 20hrs)
- With AUX audio signal input function, as a small speaker
- Exquisite and durable design
- Choices of waist or shoulder hanging wear style for convenient use

Function Illustration



- ① Power switch with volume control: Turn the wheel to "ON" position until you hear a clicking sound "Di", the amplifier is switched on and the power LED will light, turn left for louder voice, turn right for lower voice until power off.
- ② Power indicator: It will light green when the amplifier is power-on. If the battery voltage is low, it will turn red, please recharge the battery in time.
- ③ Press ◀, ▶ for previous song, press ◀, ▶ long for music volume reduction to meet the demand of background music when speaking.
- ④ Press ▶|| for play/pause the music.
- ⑤ Press ▶, ▶+ for next song, press ▶, ▶+ long for music volume increase to meet the demand of background music when speaking.
- ⑥ Music play function switching button: Press 🎵 can turn on/off the music, the microphone can be used at the same time.
- ⑦ Music play indicator: It will glitter when playing the music and lights on when pause, when stop playing the music, it will be off.
- ⑧ Recharging input socket: Input the DC 5V power adapter plug to this socket for recharging.
- ⑨ Aux input socket: Use the audio cable supplied by this amplifier to connect the music signal such as DVD, MP3 with the amplifier.
- ⑩ Microphone input socket: Insert the microphone $\Phi 3.5\text{mm}$ plug into this socket; do not point the microphone directly to amplifier, or it will cause howling.

- ⑪ TF card port: Please insert the TF card according to the direction of the illustration, when you hear "DA" after you insert it, it means the card is fixed; when you want to take out the card, just press it and the card will come out automatically.
- ⑫ USB port: Plug in the USB disk which has stored the music files.
- ⑬ Hanging buckle
- ⑭ Battery compartment: 1pc 3.7V/2000mAh Li-ion battery is inside.

Specification

Frequency Response: 80Hz-12kHz
 Output Power: 15W
 Output Impedance: 4 Ω
 Operating Voltage: 3.7V
 Battery Specification: 1pc 3.7V/2000mAh lithium ion battery
 Power Adapter: DC 5V 600-750mAh
 Recharging Time: about 6hrs
 Playtime: 20hrs
 TF Card/USB disk: Max.16G
 Media Format: MP3
 Net Weight: 395g
 Product Dimension: 118x92x45mm

Operation

1. Aim at the headworn mic capsule when speaking and keep the distance between vocal and mic as 1-2cm to avoid howling.
2. Put the battery into the battery compartment according to the polar.
3. Wear the headworn microphone correctly and adjust the suitable microphone pick-up angle.
4. Adjust the volume according to the actual space size.
5. When long time no use, fully recharge the battery to assure the battery life time, and then take out the battery.
6. Don't insert external audio signal such as DVD or MP3 into the MIC socket to avoid distortion due to extreme high voice.
7. Please use DC 5V/600-750mAh power adapter supplied with this amplifier to make sure the best recharging function.
8. Non-special technician is not allowed to disassemble or repair the product, please contact the local agent if there is any question or service requirement.

Standard Configuration



Application

Teaching, tour guiding, presentation, outdoor activity, morning exercise, entertainment.