

TAKSTAR® 得胜



演讲咪 DA12
Speech Microphone

使用手册 | User Manual

■ 前言

尊敬的用户：

感谢您选购得胜DA12演讲咪，为了您能够更好地了解使用本产品，建议您在使用前仔细阅读本说明书。

若存在有疑问或者您有宝贵的建议，可通过拨打得胜官方服务热线400 6828 333或微信扫描二维码关注得胜官方公众号与我们联系。



■ 产品特性

- 集麦克风、功放、扬声器于一体的演讲咪，适用于演讲、宣传、K歌、户外活动等场合；
- 全新外观造型设计，音质好，声音大，峰值功率12W；
- 具有5级音量调节，可根据使用的场合调整扩音音量大小；
- 支持一键切换演讲/主持/K歌/无线播放/TF卡5种工作模式，操作更简便；
- 内置DSP啸叫抑制芯片，有效抑制啸叫声；
- 持久待机，节能省电，停止使用约15分钟后自动关机；
- 内置大容量锂电池，节能环保，使用时间约8小时；
- 铝合金材质外壳，轻便耐用，质感细腻握感舒适，适合长时间手持扩音演讲；
- 具有TF卡插入接口，支持录音功能和音频文件播放。

■ 适用范围

适用于演讲、宣传、K歌、户外活动等场合

■ 标准配置

- DA12演讲咪 1个
- 充电线 1条
- 说明书 1份
- 防风棉 1个

■ 技术参数

主机参数

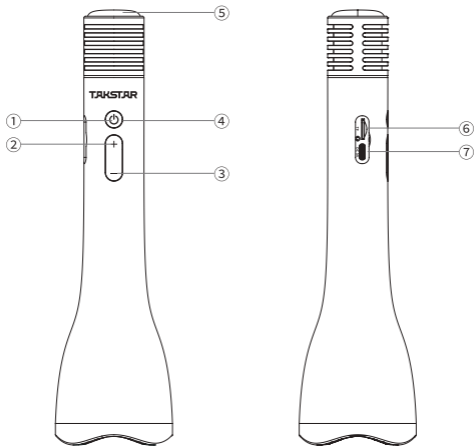
- 频率响应: 150Hz-12kHz
- 峰值功率: 12W
- 扬声器阻抗: 4Ω
- 总谐波失真: $\text{THD} \leq 5\%$ 1KHz@4R,4W
- 信噪比: 77dB (A-Weighted) @1W 4Ω (0dB=1V/Pa, at 1KHz)
- 主芯片: DSP
- 无线播放版本: 5.0以上
- 混响模式: Reverb
- 工作电压: 3.3V-4.2V
- 电池类型: 锂离子电池 (18650)
- 电池容量: 3.7V/2600mAh
- 充电方式: DC 5V/1.5A
- 充电时间: 约2.5小时
- 使用时间: 约8小时
- 产品重量: 约290g
- 产品尺寸: $\Phi 68\text{mm} \times 253\text{mm}$ (直径*高)

音头参数

- 拾音器: 背极式驻极体
- 指向性: 单指向
- 频率响应: 60Hz-16kHz
- 灵敏度: $-47 \pm 3\text{dB}$

注: 以上数据由得胜实验室测试得到,并拥有最终解释权!

■ 功能示意



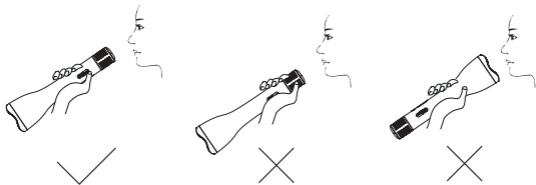
- ① 电源键：长按电源键2秒开机/关机；开机状态下，循环点按电源键切换5种工作模式：演讲模式、主持模式、K歌模式、无线播放模式、TF卡模式，切换时伴随对应提示音，出厂默认演讲模式；重新开机使用时，默认演讲模式。在插有TF卡的情况下，双击此键可进入录音模式，并语音提示“录音模式”，录制完成后点按结束录音，且自动播放录音内容。任意工作模式下，无使用15分钟后自动关机。

- ② 音量“+”键：点按增加音量，共5级音量大小可供调节，最大音量有“嘟”一声提示音。在TF卡、无线播放模式状态下，长按此键可切换为上一曲。
- ③ 音量“-”键：点按减小音量，共5级音量大小可供调节，最小音量有“嘟”一声提示音。在TF卡、无线播放模式状态下，长按此键可切换为下一曲。
- ④ 指示灯：电量充足时，指示灯长亮绿灯；低电状态下红灯长亮；充电时红灯闪烁，充满电后绿灯长亮。
- ⑤ 拾音器：喊话时尽量靠近拾音器，建议保持3-5厘米左右的距离。请勿用手捂住拾音器部分，以免产生啸叫。
- ⑥ TF卡接口：将存有音频文件TF卡插入此孔进行播放。请确保TF卡中储存的是MP3、WAV格式的音频文件，否则不能正常读取文件甚至有损坏机器的风险；拷入音频文件前先将TF卡按FAT16、FAT32格式进行格式化，其他方式的格式化（如exFAT、NTFS格式）可能会导致录音无法保存或储存的歌曲无法播放。
- ⑦ 充电接口：通过连接Type-C充电线为演讲咪充电。

提示：初次使用时，建议先充满电；当电池充满时，请停止对电池充电，避免电池过充；如长时间不用，需每半年充电一次，避免电池过放，对电池性能产生影响。

■ 使用说明

一、握持示意图



二、无线播放配对

首次使用本机时，需要与手机或无线播放设备配对连接，步骤如下：

1. 开机状态下，点按演讲咪电源键切换至无线播放模式；
2. 进入手机的“设置”菜单，开启手机的无线播放功能，搜索“TAKSTAR DA12”进行连接，连接成功后伴随提示音。
3. 下次开机后切换至无线播放模式时，如果是已进行过无线连接，将自动回连最后一次使用的播放设备。
4. 在无线播放连接成功的情况下，切换到其他工作模式则自动断开播放。

注：在无线播放状态下，麦克风处于关闭状态，不具备拾音功能。

■ 安全警示

为避免电击、高温、着火、辐射、爆炸、机械危险以及使用不当等可能造成的人身伤害或财产损失，使用本产品前，请仔细阅读并遵守以下事项：

1. 使用时请合理调整音量大小，请勿将喇叭靠近人耳，以免造成听力损伤；
2. 使用中若发现有异常（如冒烟、异味等），请立即关闭电源开关并拔掉电源插头，然后将产品送售后服务网点检修；
3. 本产品及配件都应放置在室内干燥通风处，请勿长期存放在潮湿、灰尘多的环境，使用中避免靠近火源、雨淋、进水、过度碰撞、抛掷、振动本机及覆盖通风孔，以免损坏其功能；
4. 使用该产品时需遵守相关安全规定，法律法规明确禁止使用场合请勿使用本产品，以免导致意外事故；
5. 请不要自行拆机改装或维修，以防止出现人身伤害，如有问题或服务需求请联系当地售后服务网点跟进处理；
6. 消费者若使用电源适配器供电，则应购买配套使用获得CCC认证并满足标准要求电源适配器的电源适配器。

■ 环保说明

产品中有毒有害物质或元素的名称及含量标识表

部件名称	有毒有害物质或元素					
	铅 (Pb)	汞 (Hg)	镉 (Cd)	六价铬 (Cr(VI))	多溴联苯 (PBB)	多溴二苯醚 (PBDE)
塑料部件	○	○	○	○	○	○
金属部件	×	○	○	○	○	○
电路板组件	×	○	○	○	○	○
线缆	×	○	○	○	○	○

本表格依据SJ/T 11364的规定编制。

○: 表示该有害物质在该部件所有均质材料中的含量均在 GB/T 26572 规定的限量要求以下。

×: 表示该有害物质至少在该部件的某一均质材料中的含量超出 GB/T 26572 规定的限量要求。

此标志为产品的环保使用期限标志，
且此标保使用期限只适用于产品正常工作的温度和湿度等条件。



■ 关于图标含义解释



此符号表示，根据WEEE指令(2012/19/EU)和国家法律，由于这种类型的废弃物会有潜在的有害物质，可能对环境 and 人类健康产生负面影响，所以本产品不应与您的家庭垃圾一起处置，应将本产品交由授权的电气和电子设备（WEEE）回收站回收。同时，您在正确处理本产品的同时将有助于自然资源的有效利用。如需了解更多有关您可以在何处放置废物回收设备的信息，请联系您当地的城市办事处、废物管理局或家庭废物处理服务部门。

FC 未经合规方明确批准的变更或修改可能会使用户失去操作设备的权限。
此设备符合FCC规则第15条部分的要求。操作须符合以下两个条件：

- (1) 此设备可能不会造成有害干扰，
- (2) 此设备必须接受接收到的任何干扰，包括可能导致意外操作的干扰。

CE 根据RL2004/108/EG和European Low Voltage Directive (欧洲低压指令) RL2006/95/EG的测试结果表明，本产品符合欧共同体关于电磁兼容性的成员国法律整合的指令中所规定的限值。

■ 关于本说明书

本说明书中内容符合截止印刷之日的技术规格。由于得胜公司会不断改进产品，本说明书可能不符合您的特定产品的技术规格。要获取最新版说明书，请访问得胜官网，然后下载说明书文件。技术规格、设备或另售的附件在各个地区可能有所不同，如有问题请与当地得胜销售网点确认。如需更多支持和深层产品信息，请浏览得胜官方网站：<https://www.takstar.com>

版权所有 ©2024 得胜。得胜、TAKSTAR及其各自标志是广东得胜电子有限公司在中国和/或其他国家/地区的注册商标或商标。所有其它商标均是各自所有者的财产。

注意事项:

1. 本单为保修凭证, 请用户妥善保管, 如有遗失, 恕不保修或退换。
2. 保修期限: 购买之日起十二个月内。
3. 除了不可抗力事件损坏外, 由本公司负责, 免费维修。
4. 如属保管不善或使用不当造成的损坏, 维修点将酌情收费。
5. 擅自拆卸维修者, 不予保修。
6. 以上保修条款仅限于中国市场适用 (不含港澳台地区)。

产品服务保证书

姓名: _____ 电话: _____ 地址: _____

商品: _____ 型号: _____ 购买日期: _____ 年 ____ 月 ____ 日

维修记录栏 (由维修员填写)	维修员签名	日期

◆广东得胜电子有限公司 ◆电话: 400-6828-333 ◆地址: 广东省惠州市博罗县龙溪街道富康一路2号

DA12 Speech Microphone

■ Preface

Dear Customer,

Thank you for purchasing Takstar DA12 Speech Microphone. To better understand and use the product, please read this manual thoroughly. If you have any questions or suggestions, please contact our local dealer.

■ Features

- Integrated mic, amp and speaker for presentations anywhere.
- Crisp 12W peak power sound with 5-level volume control.
- Switch between speech, host, karaoke, wireless, TF modes easily.
- Feedback suppression via built-in DSP for clear sound quality.
- Rechargeable lithium battery provides 8 hours operation.
- Automated shutdown after 15 minutes inactivity.
- Records to TF card and plays audio files from it.
- Lightweight aluminum alloy casing for prolonged comfort.
- Ideal for public speaking, promotions, karaoke and outdoor events.

■ Applications

Public speaking, promotions, karaoke and outdoor events.

DA12 Speech Microphone

■ Package Contents

- 1 × DA12 Speech Mic
- 1 × Charging Cable
- 1 × User Manual
- 1 × Windscreen

■ Specifications

Voice Amp Specifications

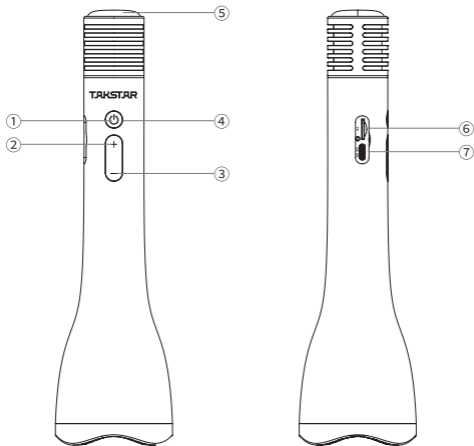
- Frequency Response: 150Hz-12kHz
- Peak Power: 12W
- Speaker Impedance: 4Ω
- THD: THD \leq 5% 1KHz@4R,4W
- S/N Ratio: 77dB (A-Weighted) @1W 4Ω
- Main Chip: DSP
- Wireless Version: 5.0 or above
- Reverb Mode: Reverb
- Operating Voltage: 3.3V-4.2V
- Battery Type: Lithium-ion Battery (18650)
- Battery Capacity: 3.7V/2600mAh
- Charging Method: DC 5V/1.5A
- Charging Time: Approx. 2.5 hours
- Usage Time: Approx. 8 hours
- Product Weight: Approx. 290g
- Product Size: Φ 68mm*253mm (Diameter*Height)

Mic Capsule Specifications

- Transducer: Back Electret Condenser
- Polar Pattern: Unidirectional
- Frequency Response: 60Hz-16kHz
- Sensitivity: -47 ± 3 dB (0dB=1V/Pa, at 1kHz)

Note: The above data are measured by Takstar laboratory which has the final interpretation right!

■ Function Descriptions



- ① Power Button: Press and hold for 2 seconds to turn the device on/off. Press to cycle through 5 working modes: Speech, Hosting, Karaoke, Wireless Playback, and TF Card. The device defaults to Speech mode upon powerup. Double click to activate TF card recording mode if TF card inserted, then click again to end recording and auto play recorded content. The device auto powers off after 15 minutes of inactivity.

DA12 Speech Microphone

- ② Volume "+" Button: Press to increase volume (5 levels). Long-press in TF Card/Wireless Playback mode to switch to previous track.
 - ③ Volume "-" Button: Press to decrease volume (5 levels). Long-press in TF Card/Wireless Playback mode to switch to next track.
 - ④ Indicator Light: Solid green when fully charged, solid red in low battery status. Flashes red while charging and turns solid green when fully charged.
 - ⑤ Capsule: Keep the capsule approximately 3-5cm away. Avoid covering to prevent feedback.
 - ⑥ TF Card Interface: Insert TF card with MP3 or WAV files. Format the card in FAT16 or FAT32 format before copying audio files. Other formats such as exFAT or NTFS may not play or record properly.
 - ⑦ Charging Port: Use Type-C charging cable to charge the mic.
- Tip: Fully charge before initial use. Avoid overcharging. Charge the device every six months if not used for a long time.

■ Operating Instructions

I. Illustration of Grip



II. Wireless Playback Pairing

1. Power on the device and switch to Wireless Playback mode by pressing the power button.
2. Enable wireless playback on your mobile phone and search for "TAKSTAR DA12" in the "Settings" menu.
3. Connect to "TAKSTAR DA12" and wait for the prompt sound to confirm successful connection.
4. Next time you switch to Wireless Playback mode, it will automatically reconnect to the last used device.

Note: In Wireless Playback mode, the mic capsule is turned off and does not pick up sound.

■ Safety Instructions

To avoid electric shock, overheat, fire, radiation, explosion, mechanical risk and injury or property loss due to improper use, please read and observe the following items before use:

1. Adjust the volume to proper level during operation, and do not place it close to human ears to prevent hearing damage.
2. If there is any abnormality during use (e.g., smoke, strange odor), please kill the power switch and unplug from power source, then send the product to the local after-sales service for repair.
3. Keep this product and its accessories in a dry and ventilated area. Do not store in a humid or dusty area for extended time. Keep away from fire, rain, liquid intrusion, bumping, throwing, vibrating, or from blocking any ventilation openings, to prevent malfunction.

DA12 Speech Microphone


4. Please abide by safety rules during operation. Do not use the product in places prohibited by laws or regulations to avoid accident.
5. Do not disassemble or repair the product by yourself to avoid injury. If you have any questions or require any services, please contact our local after-sales service.
6. Power adapters, if used, must comply with CCC certification and meet the power requirements of the device.


■ Label Meanings



This symbol indicates that this product should not be disposed of with your household waste, according to the WEEE directive (2012/19/EU) and your national law. This product should be handed over to an authorized collection site for recycling waste electrical and electronic equipment (WEEE). Improper handling of this type of waste could have a possible negative impact on the environment and human health due to potentially hazardous substances that are generally associated with WEEE. At the same time, your cooperation in the correct disposal of this product will contribute to the effective usage of natural resources. For more information about where you can drop off your waste equipment for recycling, please contact your local city office, waste authority, or your household waste disposal service.

DA12 Speech Microphone

 This device is compliant with the limits of the European Council Directive on the approximation of the laws of the member states relating to electromagnetic compatibility according to RL2004/108/EG and European Low Voltage Directive RL2006/95/EG.

 Note: This equipment has been tested and found to comply with the limits for a Class B digital device, pursuant to part 15 of the FCC Rules. These limits are designed to provide reasonable protection against harmful interference in a residential installation. This equipment generates, uses, and can radiate radio frequency energy and, if not installed and used in accordance with the instructions, may cause harmful interference to radio communications. However, there is no guarantee that interference will not occur in a particular installation.

If this equipment does cause harmful interference to radio or television reception, which can be determined by turning the equipment off and on, the user is encouraged to try to correct the interference by one or more of the following measures:

- Reorient or relocate the receiving antenna.
- Increase the separation between the equipment and receiver.
- Connect the equipment to an outlet on a circuit different from that to which the receiver is connected.
- Consult the dealer or an experienced radio/TV technician for help.

DA12 Speech Microphone

Changes or modifications not expressly approved by the complying party may cause the user to lose permission to operate the device.

This device complies with part 15 of the FCC Rules. Operation is subject to the following two conditions:

- 1) This device may not cause harmful interference, and
- 2) This device must accept any interference received, including interference that may cause undesired operation.

■ About This Manual

This manual contains up-to-date technical specifications as of printing. However, specifications contained herein may not conform to your particular product since Takstar is constantly improving its products. Also, specifications, devices or accessories available may vary from region to region. If you have any questions, please contact our local sales outlet. For the latest version/more information, please visit our website: <https://www.takstar.com/>

Copyright ©2024 TAKSTAR. TAKSTAR, 得胜 and their respective logos are registered trademarks or trademarks of Guangdong Takstar Electronic Co., Ltd. in the PRC, and/or other countries. All other trademarks are the property of their respective owners.



扫一扫,了解更多产品
Scan for more
product information

广东省电声工程技术研究开发中心 广东得胜电子有限公司制造

地址: 广东省惠州市博罗县龙溪街道富康一路2号

服务热线:400 6828 333 传真:0752 6383950

邮箱:xs@takstar.com

网址:www.takstar.com

Designed & Manufactured by:

Guangdong Takstar Electronic Co., Ltd.

Address: No.2 Fu Kang Yi Rd., Longxi Boluo
Huizhou, Guangdong 516121 China

Tel: 86 752 6383644 Fax: 86 752 6383952

Email: sales@takstar.com

Website: www.takstar.com