

TAKSTAR® 得胜

SM-8B-S

专业录音麦克风

Professional Recording Microphone



使用手册 User Manual

■ 前言

尊敬的用户：

感谢您选购得胜SM-8B-S专业录音麦克风，为了您能够更好的了解使用本产品，建议您在使用前仔细阅读本说明书。

若存在有疑问或者您有宝贵的建议，可通过拨打得胜官方服务热线400 6828 333或微信扫描二维码关注得胜官方公众号与我们联系。



■ 产品特性

- 高灵敏度，低噪音；
- 采用高性能背极式驻极体电容音头；
- 内置晶体管线路，噪音小、性能稳定；
- 频率响应宽广。

■ 包装清单

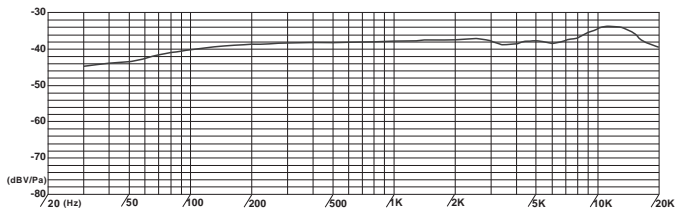
麦克风.....	1个
支架.....	1个
防风棉.....	1条
说明书.....	1份

■ 适用范围

广播录音、个人录音、乐器录音、现场演出

■ 技术参数

频率响应曲线图



单体: 背极式驻极体

指向性: 单指向

频率响应: 20Hz-20KHz

灵敏度: $-33\text{dB} \pm 3\text{dB}$

($0\text{dB}=1\text{V}/\text{Pa}$ at 1KHz)

等效噪声级: $\leq 22\text{dB}$ (IEC 581-5)

最大声压级: 130dB

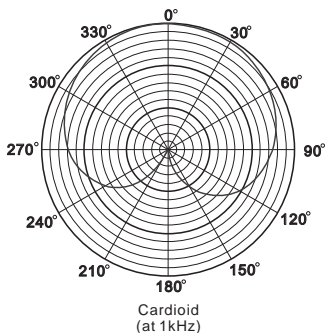
(T.H.D $\leq 1.0\%$ at 1KHz)

输出阻抗: $200\Omega \pm 30\%$ (at 1KHz)

使用电源: 48V幻象电源

单体尺寸: $\varnothing 54\text{mm} \times \text{L}148\text{mm}$

单体重量: 356g



注: 以上数据由得胜实验室测得并拥有最终解释权。

■ 使用说明

连接线的安装与拆卸

1. 把卡侬（XLR）插头插入麦克风，旋转插头使上面的扣键与麦克风上的槽口对准，然后将插头推入麦克风，直至扣键定位。
2. 麦克风与连接线分开时，可握住插头，同时按压扣键，然后将插头从麦克风拉出。

连接幻像电源



使用说明


1. 使用时，应先将扩音器或调音台音量控制调小，然后将幻像电源与麦克风连接好，再打开幻像电源的电源开关，并将音量从小到大慢慢调节至合适，以免喇叭受到冲击。
2. 用手罩住麦克风头部，或使麦克风接近扬声器，可能产生啸叫声，遇此情形时，首先降低音量，拉开同扬声器的距离，尽量使麦克风不同扬声器相对。
3. 麦克风灵敏度高，必须注意不要从高处落下或给予强烈冲击。
4. 麦克风不使用时应存放在干燥清洁的地方，避免在温度、湿度过高的场所保管或使用，以免影响灵敏度和音色。


■ 安全警告

为避免电击、高温、着火、辐射、爆炸、机械危险以及使用不当等可能造成的人身伤害或财产损失，使用本产品前，请仔细阅读并遵守以下事项：

1. 使用产品时请确认所连接设备与本产品功率是否匹配以及合理调整设备音量大小，不要在超过产品功率及大音量下长时间使用，以免造成产品异常和听力损伤；
2. 使用中若发现有异常（如冒烟、异味等），请立即关闭电源开关并拔掉电源插头，然后将产品送经销商检修；
3. 若产品需要使用可拆装电池时，严禁使用外壳绝缘材料破损的电池；请不要为非充电电池充电；
4. 废弃电池需放入指定的分类垃圾桶，不可作为儿童玩具或直接丢弃，以免造成安全隐患或影响环境；
5. 本产品及配件都应放置在室内干燥通风处，勿长期存放在潮湿、灰尘多的环境，使用中避免靠近火源，雨淋、进水、过度碰撞、抛掷、振动本机及覆盖通风孔，避免损坏其功能；
6. 若产品需要固定于墙壁或天花板上时，请确保固定到位，防止因固定强度不足导致产品发生跌落危险；
7. 使用该产品时需遵守相关安全规定，法律法规明确禁止使用场合请勿使用产品，以免导致意外事故；
8. 请不要自行拆机改装或维修，以防止出现人身伤害，如有问题或服务需求请联系当地经销商跟进处理。

■ 关于图标含义解释

 根据RL2004/108/EG和European Low Voltage Directive (欧洲低电压指令) RL2006/95/EG的测试结果表明,本产品符合欧共同体关于电磁兼容性的成员国法律整合的指令中所规定的限值。

 此符号表示,根据WEEE指令(2012/19/EU)和国家法律,由于这种类型的废弃物会有潜在的有害物质,可能对环境和人类健康产生负面影响,所以本产品不应与您的家庭垃圾一起处置,应将本产品交由授权的电气和电子设备(WEEE)回收站回收。同时,您在正确处理本产品的同时将有助于自然资源的有效利用。如需了解更多有关您可以在何处放置废物回收设备的信息,请联系您当地的城市办事处、废物管理局或家庭废物处理服务部门。

■ 环保说明

产品中有毒有害物质或元素的名称及含量标识表

部件名称	有毒有害物质或元素					
	铅 (Pb)	汞 (Hg)	镉 (Cd)	六价铬 (Cr(VI))	多溴联苯 (PBB)	多溴二苯醚 (PBDE)
塑料部件	○	○	○	○	○	○
金属部件	×	○	○	○	○	○
电路板组件	×	○	○	○	○	○
线缆	×	○	○	○	○	○

本表格依据SJ/T 11364的规定编制。

○: 表示该有害物质在该部件所有均质材料中的含量均在 GB/T 26572规定的限量要求以下。

×: 表示该有害物质至少在该部件的某一均质材料中的含量超出 GB/T 26572规定的限量要求。

此标志为产品的环保使用期限标志，
且此标保使用期限只适用于产品正常工作的温度和湿度等条件。



■ Preface

Dear Customer,

Thank you for purchasing Takstar SM-8B-S professional recording microphone. Please read the user manual carefully before operation and keep it for reference in future.

If you have any question or suggestion, please contact our local dealer.

■ Features

1. High sensitivity, low self noise
2. High-performance back electret condenser capsule
3. Built-in transistor circuit, low self noise and stable performance
4. Wide frequency response

■ Product content

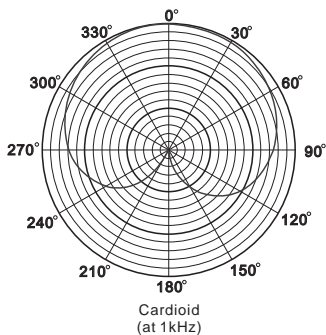
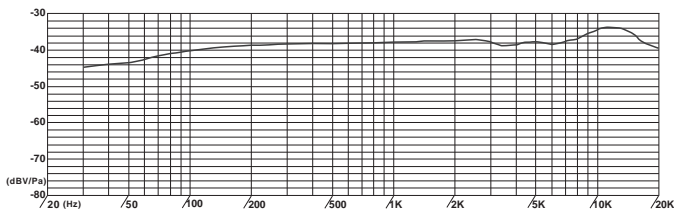
Microphone	1 pc
Microphone stand	1 Pc
Microphone windscreen	1 Pc
User Manual.....	1 Pc

■ Application

Broadcast recording, personal recording, instrument recording,
live performance

■ Specification

Frequency response graph



SM-8B-S PROFESSIONAL RECORDING MICROPHONE

Transducer Principle: Back Electret Condenser

Directivity Characteristic: Unidirectional

Frequency Response: 20Hz-20KHz

Sensitivity: $-33\text{dB} \pm 3\text{dB}$ ($0\text{dB}=1\text{V}/\text{Pa}$ at 1KHz)

Equivalent Noise Level: $\leq 22\text{dB}$ (IEC 581-5)

Max. Input SPL: 130dB (T. H. D $\leq 1\%$ at 1KHz)

Output Impedance: $200\Omega \pm 30\%$ (at 1KHz)

Power Requirement: 48V DC Phantom Power

Body Dimensions: $\varnothing 54\text{mm} \times \text{L}148\text{mm}$

Net Weight: 356g

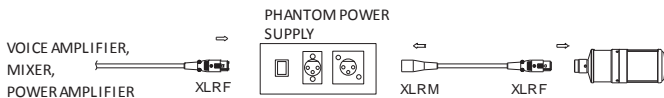
Note: The above data are obtained by Takstar Laboratory and have the right of final interpretation has the right of final interpretation.

■ Operation instruction

Installation and removal of the cable

1. Insert the XLR plug into the microphone, rotate the plug so that the button on the top is aligned with the notch on the microphone, and then push the plug into the microphone until the button is positioned.
2. When the cable is disconnected from the microphone, hold the plug while pressing the button, and then pull the plug out of the microphone.

Connecting the phantom power



Operating Instruction

1. When using the microphone, you should turn down the volume of the amplifier or mixer, connect the phantom power supply to the microphone, turn on the power switch of the phantom power supply, and adjust the volume slowly from low to high so as not to impact the speaker.
2. Cover the head of the microphone with your hand or bring the microphone close to the speaker, which may produce howling. In this case, you should first reduce the volume and increase the distance between the microphone and the speaker, and then try to make the microphone and speaker not face each other.
3. The microphone is highly sensitive, so you must be careful not to drop it from a high place or give it a strong impact.
4. The microphone should be stored in a dry and clean place when not in use. Avoid storing or using it in places with high temperature or humidity so as not to affect the sensitivity and timbre.

■ Cautions

In order to avoid possible personal injury or property damage caused by electric shock, high temperature, fire, radiation, explosion, mechanical hazards and improper use, please read and observe the following items carefully before using the product.

1. When using the product, please confirm whether the power of the connected device matches the power of the product, and adjust the volume of the device. Do not use it for a long time when the power of the product is exceeded or at a high volume to avoid product failure and hearing damage.
2. If there is any abnormality (such as smoke, odor, etc.) during use, please turn off the power switch and unplug the power plug immediately, and then send the product to the dealer for maintenance.
3. If the product needs to use removable batteries, it is strictly forbidden to use batteries with damaged insulation materials. Please do not charge non-rechargeable batteries.
4. Discarded batteries must be placed in designated classified garbage bins, and cannot be used as children's toys or discarded directly to avoid potential safety hazards or environmental impact.
5. The product and accessories should be placed indoors in a dry and ventilated place. Do not store them in a humid and dusty environment for a long time. Avoid getting close to fire, rain, water, excessive collision, throwing, vibrating the machine and covering the ventilation holes during use, so as not to damage its function.
6. If the product needs to be fixed on the wall or ceiling, please make sure to fix it in place to prevent it from falling down.

- When using the product, you must abide by the relevant safety regulations. Please do not use the product in the occasions that are clearly prohibited by laws and regulations to avoid accidents.
- Please do not disassemble, refit or repair the product by yourself to prevent personal injury. If you have any questions or service needs, please contact our local dealer for follow-up.

■ About the meaning of icon



According to the test results of RL2004/108/EG and European Low Voltage Directive RL2006/95/EG, the product complies with the limit specified in the directives of the European Community on the integration of the laws of the member states on electromagnetic compatibility.



This symbol indicates that according to the WEEE Directive (2012 / 19 / EU) and national laws, this product should not be disposed of together with your household waste, and should be returned to an authorized recycling station of electrical and electronic equipment (WEEE) for recycling, because this type of waste has potential harmful substances that may have a negative impact on the environment and human health. Meanwhile, when this product is disposed of properly, it is conducive to the effective use of natural resources. For more information on where you can place your waste recycling equipment, please contact your local City Office, Waste Management Bureau or Household Waste Treatment Service Department.

产品服务保证书

姓名：_____ 电话：_____ 地址：_____

商品：_____ 型号：_____ 购买日期：_____ 年 ___ 月 ___ 日

维修记录栏(由维修员填写)	维修员签名	日期

注意事项：

1. 本单为保修凭证，请用户妥善保管，如有遗失，恕不保修或退换。
2. 保修期限制：购买之日起十二个月内。
3. 除了不可抗力事件损坏外，由本公司负责，免费维修。
4. 如属保管不善或使用不当造成的损坏，维修点将酌情收费。
5. 擅自拆卸维修者，不予保修。
6. 以上保修条款仅限于中国市场适用（不包含港澳台地区）。



扫一扫，了解更多产品
Scan for more
product information

广东省电声工程技术研究开发中心 广东得胜电子有限公司制造

地址：广东省惠州市博罗县龙溪街道富康一路2号

服务热线：400 6828 333 传真：0752 6383950

邮箱：xs@takstar.com

网址：www.takstar.com

Guangdong Takstar Electronic Co., Ltd.

Address: No. 2 Fu Kang Yi Rd., Longxi Boluo

Huizhou, Guangdong 516121 China

Tel: 86 752 6383644 Fax: 86 752 6383952

Email: sales@takstar.com

Website: www.takstar.com

GB/T 14198-2012
9TSM8BSS3A